



LT450APRO

4 Post 5 Tonne Hydraulic Hoist



HYDRAULIC HOIST FOR HEAVY-DUTY SERVICE AND ALIGNMENT WORK.



Ideal for:

Dealerships and busy workshops that need a heavy duty, quiet hoist for servicing and alignments. The LT450APRO delivers reliability backed by European design and build quality.

Features:

- › Homologated and certified according to the European Machinery Directive 2006/42/CE and Harmonized standard EN 1493:2010.
- › Automatic Platform locking system operated by electromagnetics.
- › One button push to release locks and lower.
- › Innovative column design removes longitudinal welds, strengthening the structure.
- › Safety valve to prevent over loading the hydraulic system.
- › Special width between columns suitable for 3D alignments.
- › Motor equipped with thermal detector to prevent overheating.

OUR PROMISE:

100

ONE HUNDRED DAYS
100% SATISFACTION

If you are not 100% satisfied with your equipment, Treadway Equipped will repair, replace or refund the equipment free of charge within the first 100 days.

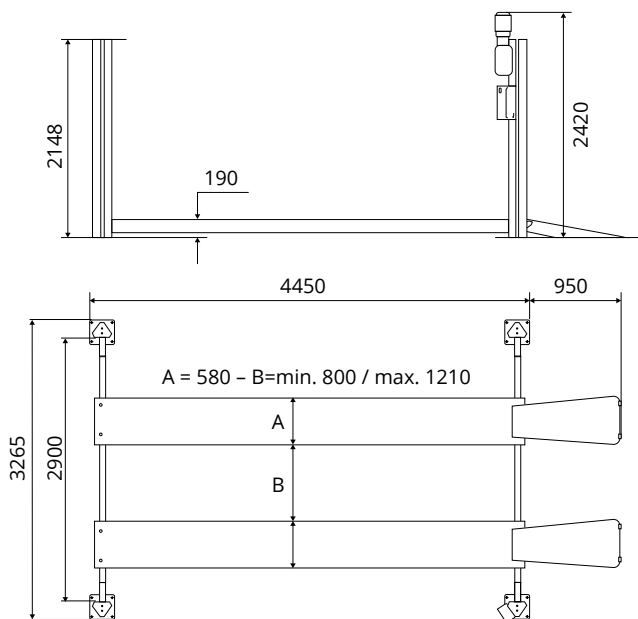
LT450APRO

4 Post 5 Tonne Hydraulic Hoist



Features:

- › Homologated and certified according to the European Machinery Directive 2006/42/CE and Harmonized standard EN 1493:2010.
- › Automatic Platform locking system operated by electromagnetics.
- › One button push to release locks and lower.
- › Innovative column design removes longitudinal welds, strengthening the structure.
- › Safety valve to prevent over loading the hydraulic system.
- › Special width between columns suitable for 3D alignments.
- › Motor equipped with thermal detector to prevent overheating.



SPECIFICATIONS

Load capacity	5000 kg
Platforms length	5230 mm
Platforms width	580 mm
Width between columns	2900 mm
Distance between platforms	(min-max) 800-1210 mm
Drive on height	195 mm
Lifting height	1800 mm
Lifting time	35 seconds
Overall length	6200 mm
Overall width	3265 mm
Motor	Trifasico 230/400 V - 50/60 Hz. 2.2 KW
Single Phase Version: 4ED0651 (1.9 KW - 230 V)	

LT450APRO

4 Post 5 Tonne Hydraulic Hoist

Hydraulic Hoist for heavy-duty service and alignment work.



Safety & design



- › **No need for compressed air**
Quiet hoist that does not require compressed air to run



- › **Safety**
Maximum safety system against obstacles



- › **Safety**
Pre-stressed steel wires – high strength and low wear



- › **Safety**
Device allows wires to rest without load, increasing safety and minimising wear



- › **Electrical safety**
Electronically controlled locking system



- › **Safety**
Toe-trapping protection

Options



- › **Optional**
Tool support



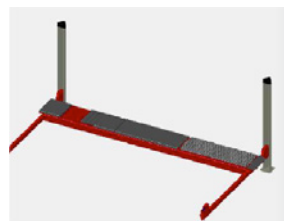
- › **Optional**
Air and energy supply



- › **Optional**
Scissor jacking beam



- › **Optional**
Turning plates



- › **Optional**
Alignment platforms equipped with sliding rear platforms and adjustable recesses for front turning plates



- › **Optional**
Colour Customisation when purchased from the factory



OUR PROMISE:

100

ONE HUNDRED DAYS
100% SATISFACTION

If you are not 100% satisfied with your equipment, Treadway Equipped will repair, replace or refund the equipment free of charge within the first 100 days.

0800 436 436
treadwayequipped.co.nz